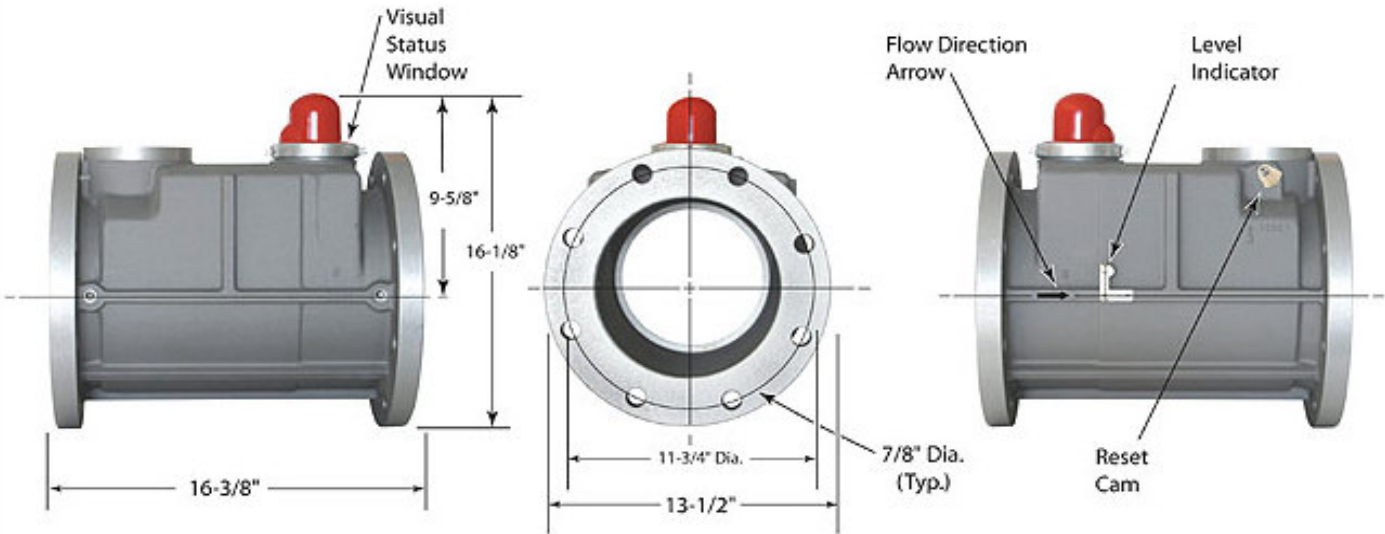




Model 319F-60 Flanged Valve

Horizontal or Vertical Flow



Valve Model#	CA-DSA No.	Length	Height	Diameter	Nominal Pipe Size	APPLICATION DATA		Diameter On Center	Diameter Hole (Typ.)	Number of Holes
						Max. Pressure	Fuel			
319F	62-02	16-3/8"	9-5/8"	13-1/2"	8"	60 psi	Dry Fuel Gas	11-3/4" Dia.	7/8" Dia.	8

Specifications & Response To Seismic Disturbance

- Manual Reset
- High flow efficiency with minimal pressure drop
- Positive closure, soft seal seating
- Visual open-close indicator
- Made in the USA
- Meets ASCE 25-97

The valve shall close within five seconds when subjected to a horizontal, sinusoidal oscillation with the following characteristics:

	Peak Acceleration	Period
1.	0.7G	0.13 Seconds
2.	0.4G	0.2 Seconds
3.	0.3G	0.4 Seconds
4.	0.25G	1.00 Seconds

The valve shall not close when subjected for five seconds to each of three horizontal, sinusoidal oscillations with the following characteristics:

	Peak Acceleration	Period
1.	0.4G	0.1 Seconds
2.	0.2G	0.2 Seconds
3.	0.15G	0.40 Seconds
4.	0.10G	1.00 Seconds




Capacity Charts

Capacity charts represent CFH of natural gas at 60° F

Use the following charts to determine the approximate loss of pressure (in inches water column) through the valve.

1. Identify maximum inlet pressure to the valve.
2. Identify maximum Cubic Feet/Hour - CFH
3. See Column 1 for the pressure drop.

8" EV319F-60		Capacity - CFH					
C _v = 3136							
319F-60 							
Delta P	Operating Pressure						
	"W.C.	8" wc	2 PSI	5 PSI	10 PSI	20 PSI	40 PSI
0.5	120,845	127,577	138,575	155,181	183,951	230,978	269,933
1		180,325	195,885	219,380	260,078	326,599	381,698
2		254,745	276,772	310,026	367,617	461,730	539,673
5		401,487	436,419	489,126	580,353	729,343	852,685

Horizontal Flow
319F-60



Vertical Flow – Down
VT319F-60



Vertical Flow - Up
VB319F-60

